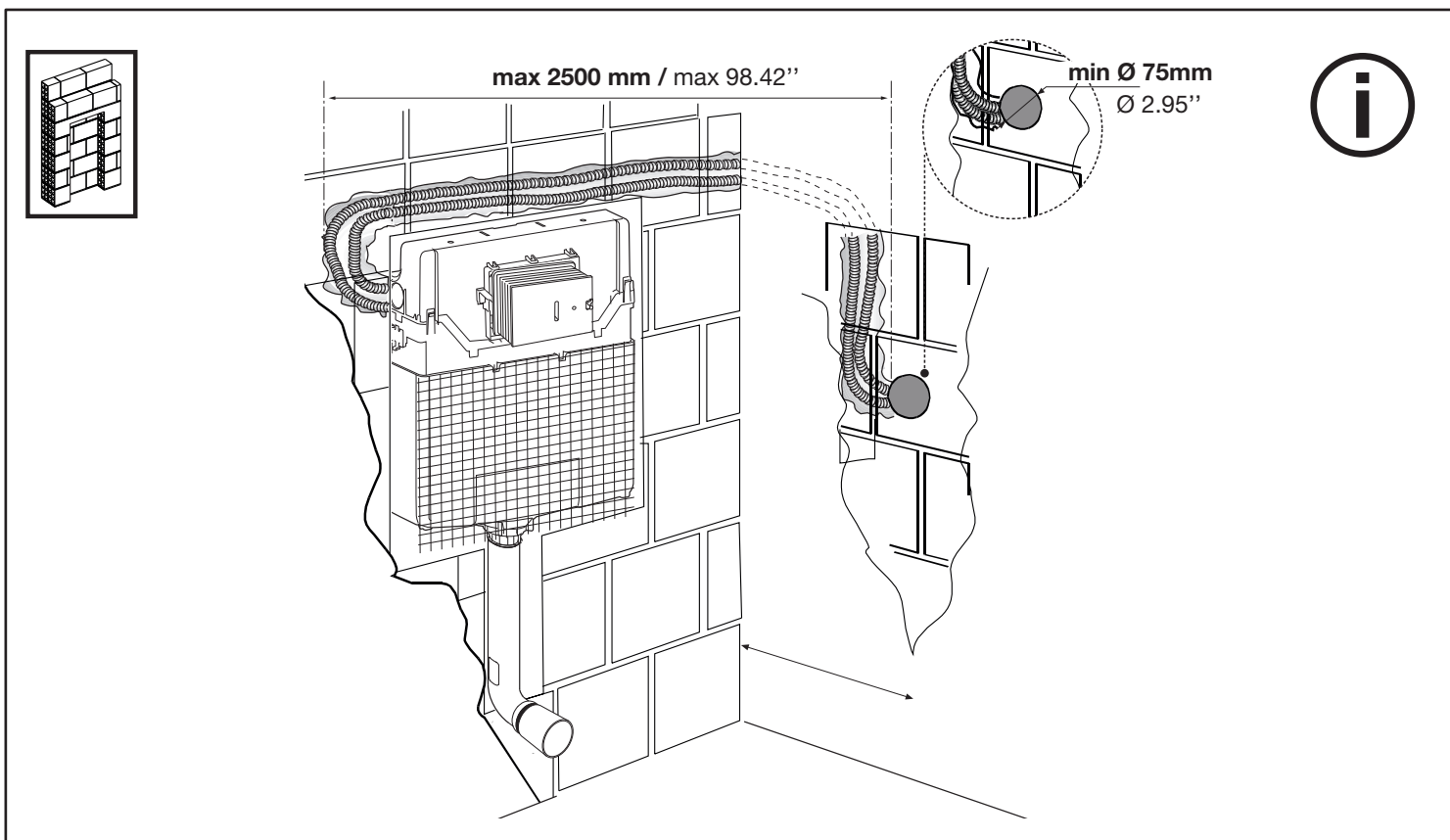
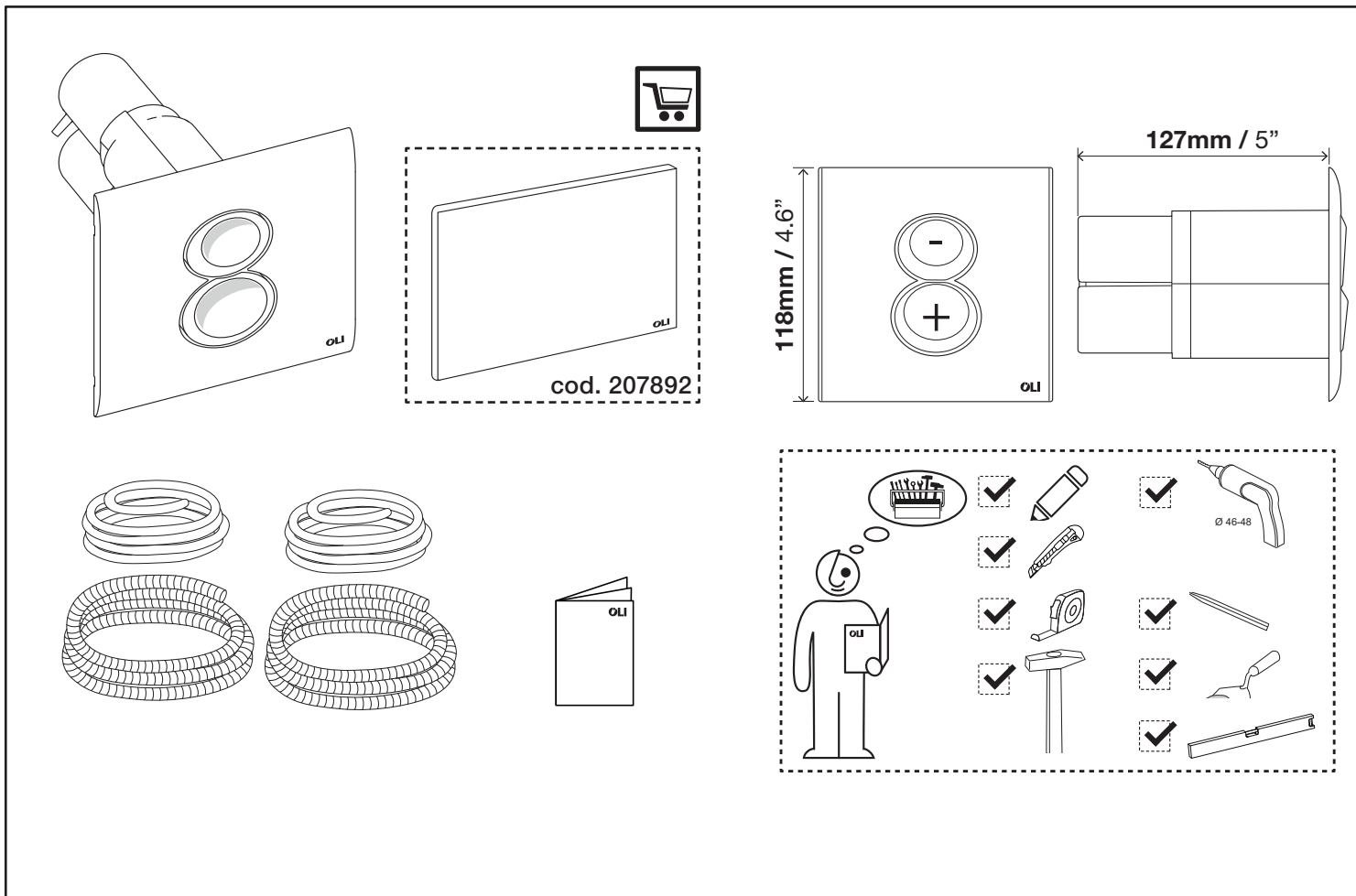


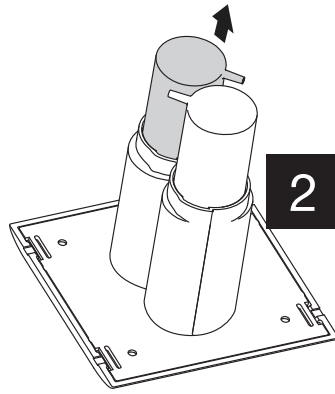
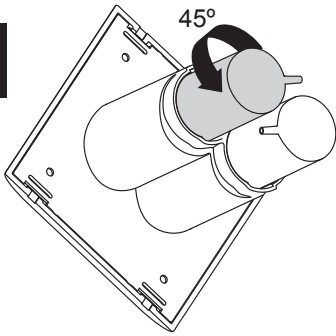
EASY DUAL

PNEUMATIC

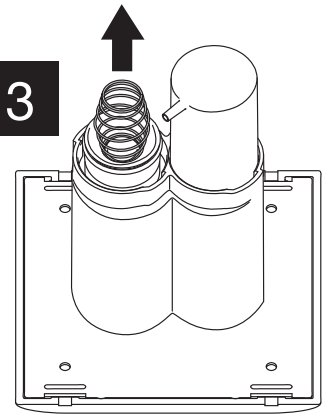


1

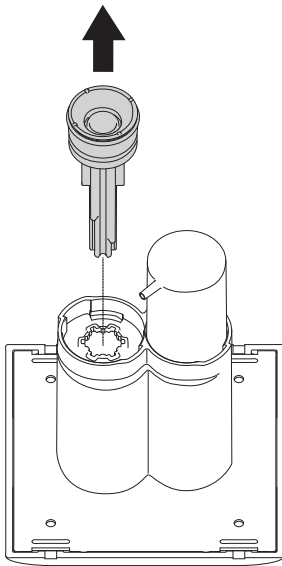
1



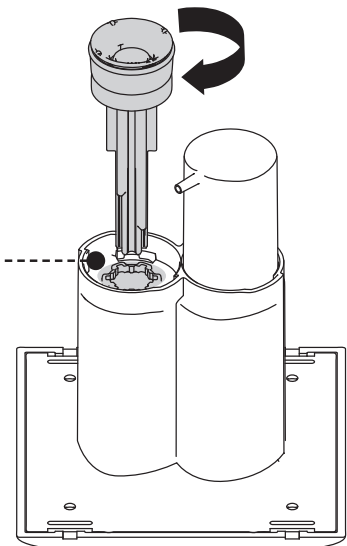
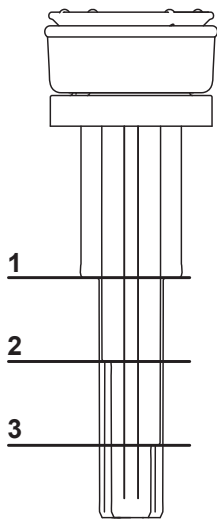
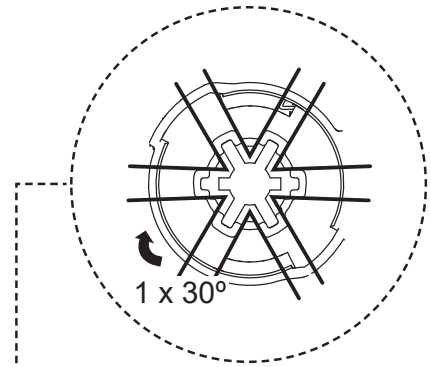
3



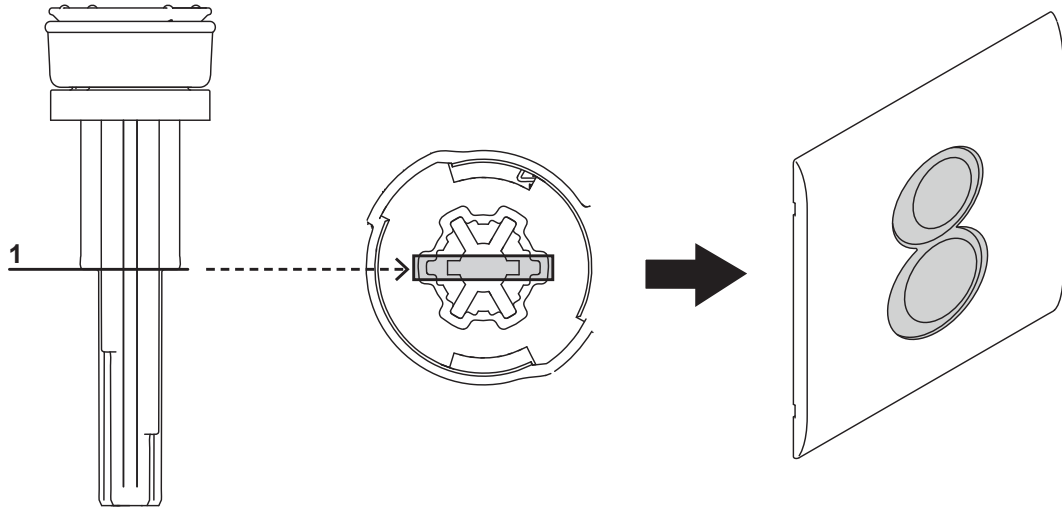
2



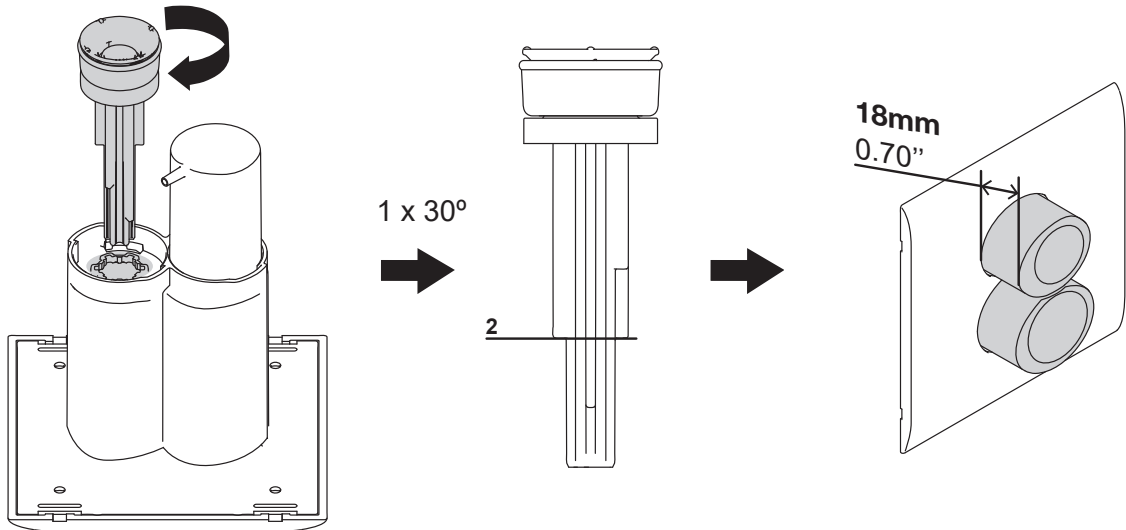
3



4



5



6

