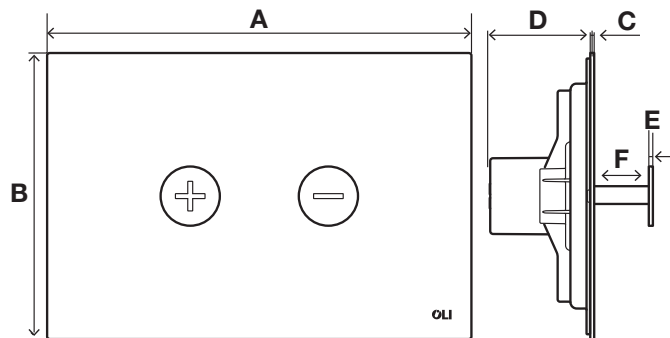
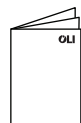
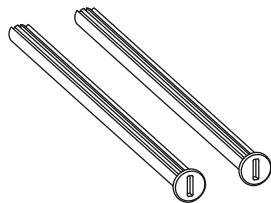
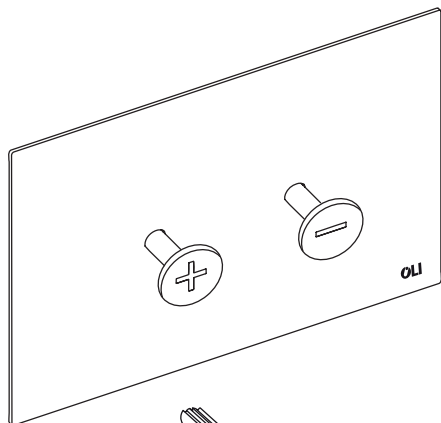
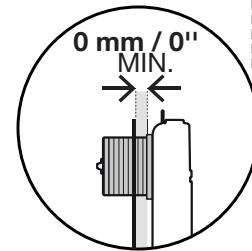
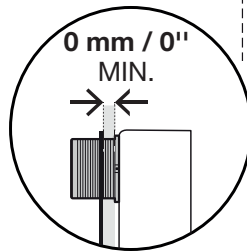
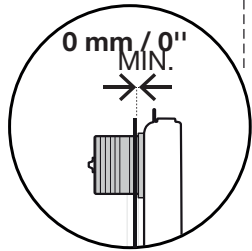
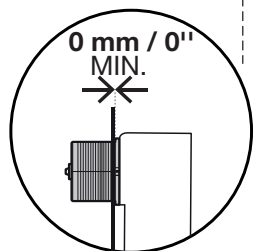
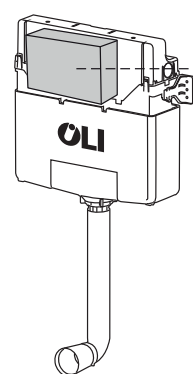
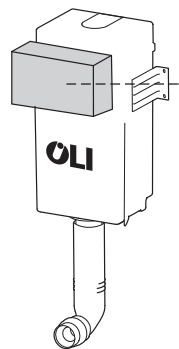
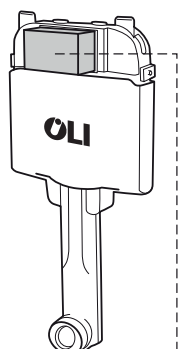
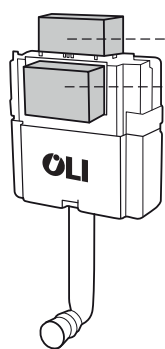
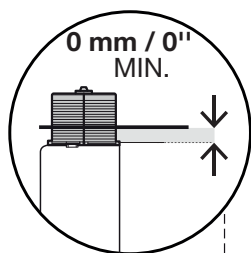


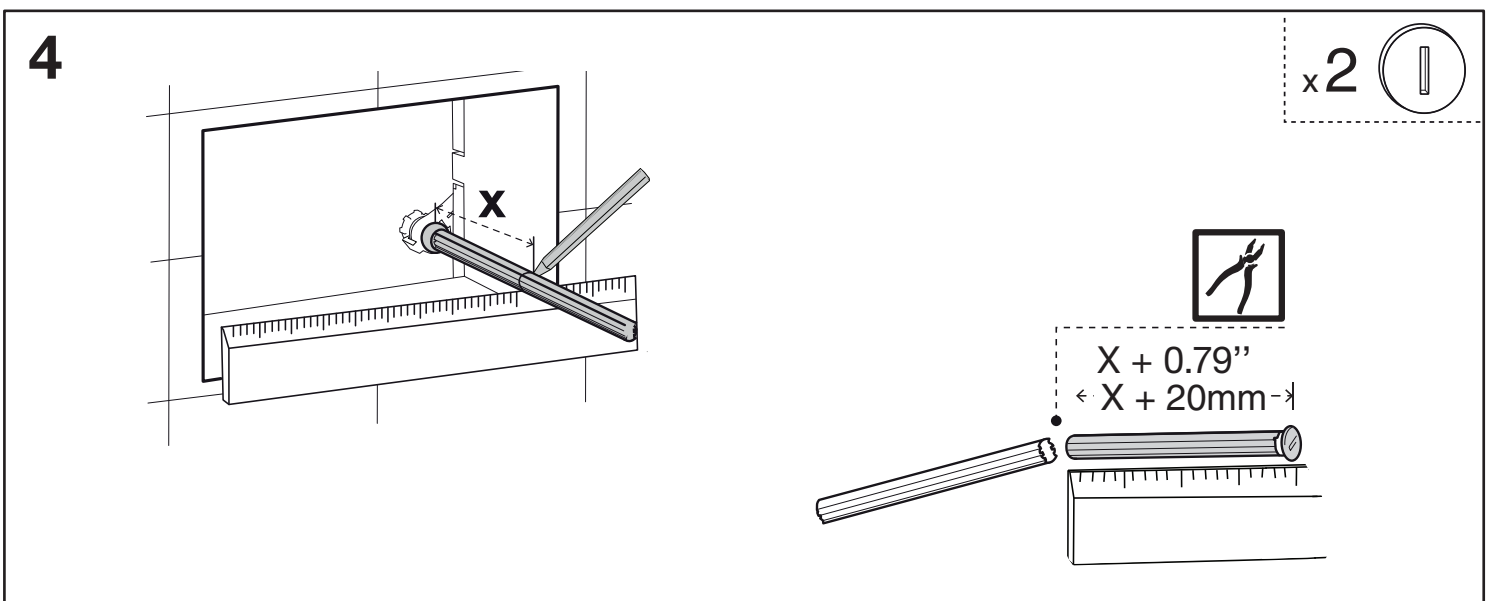
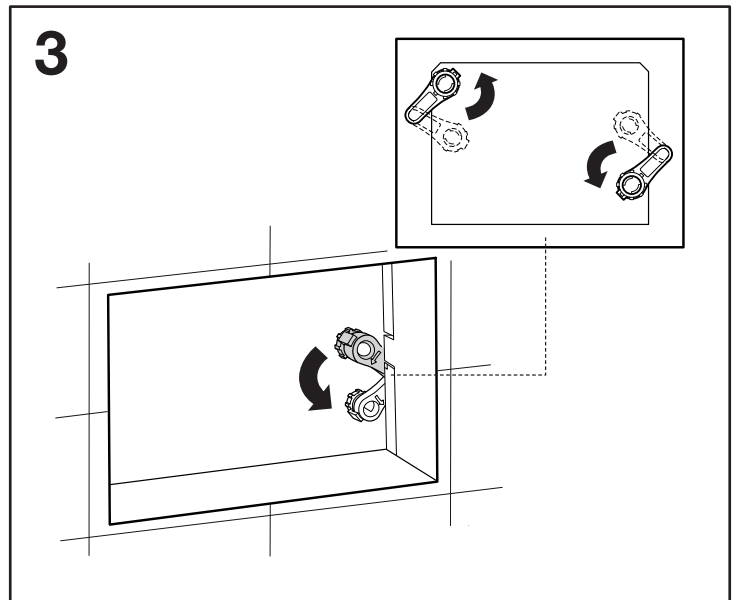
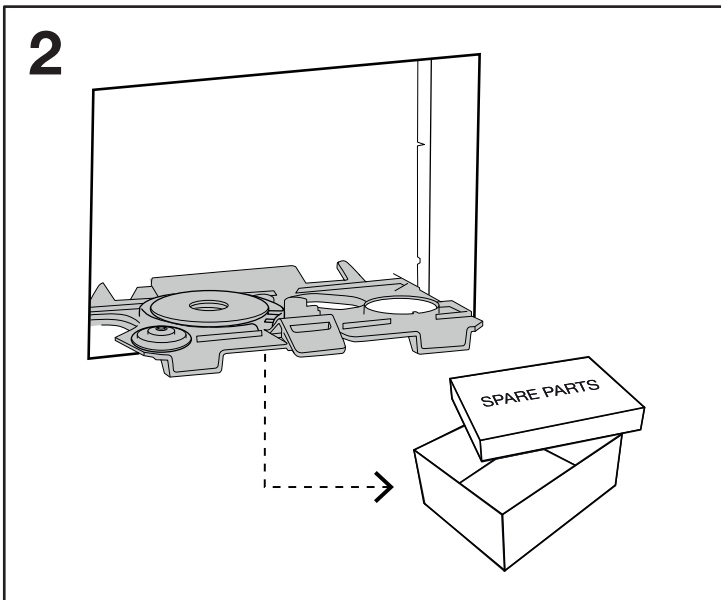
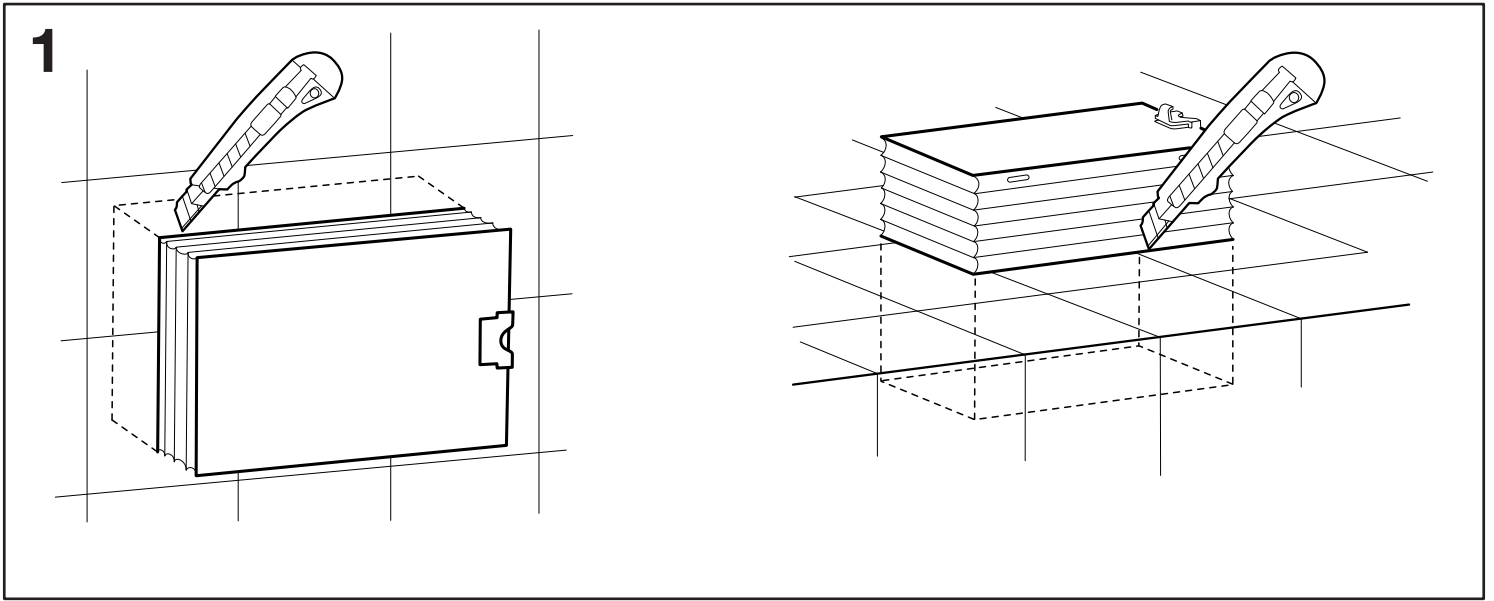
TRUMPET

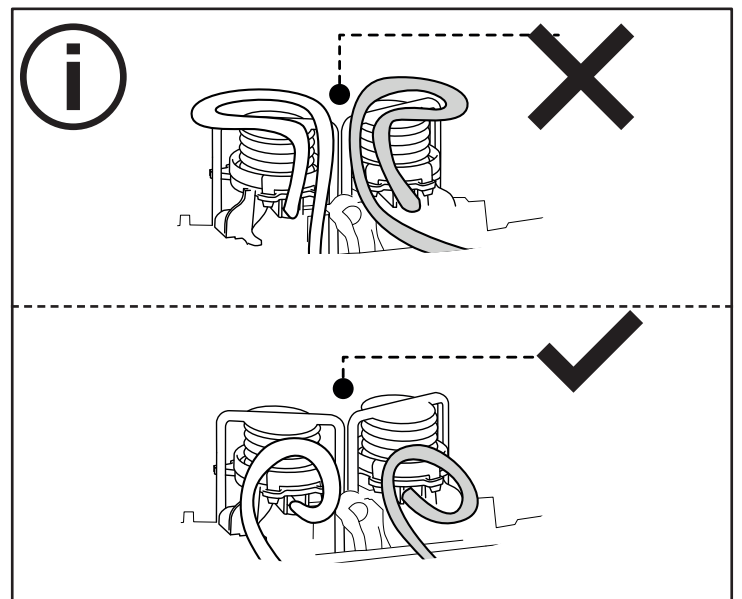
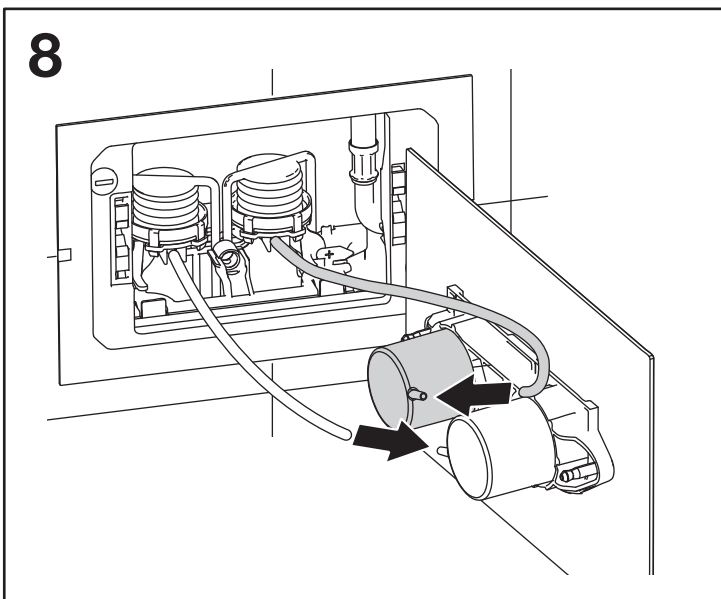
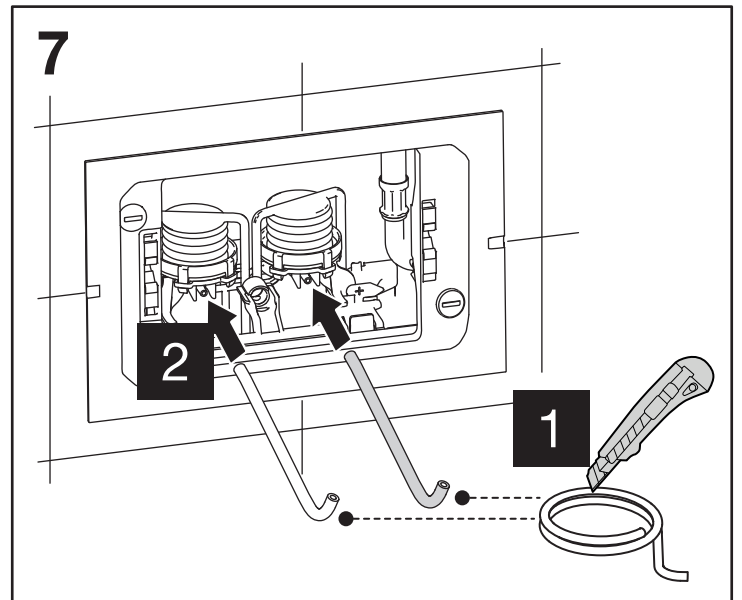
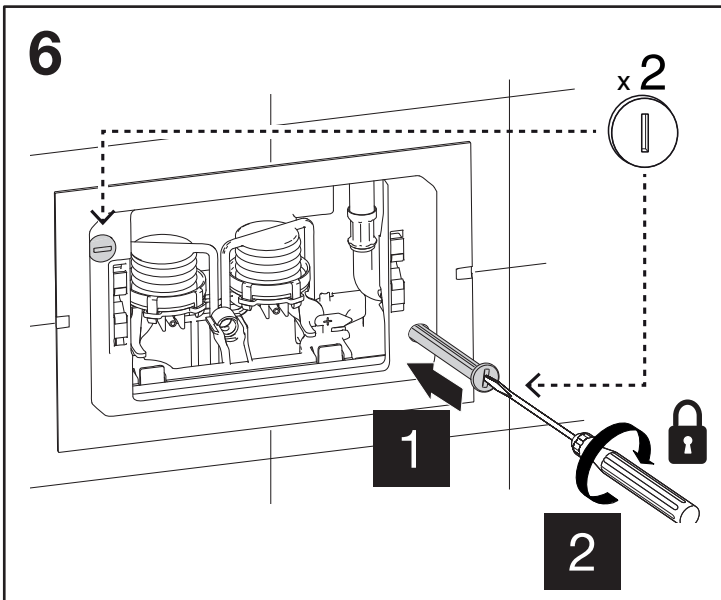
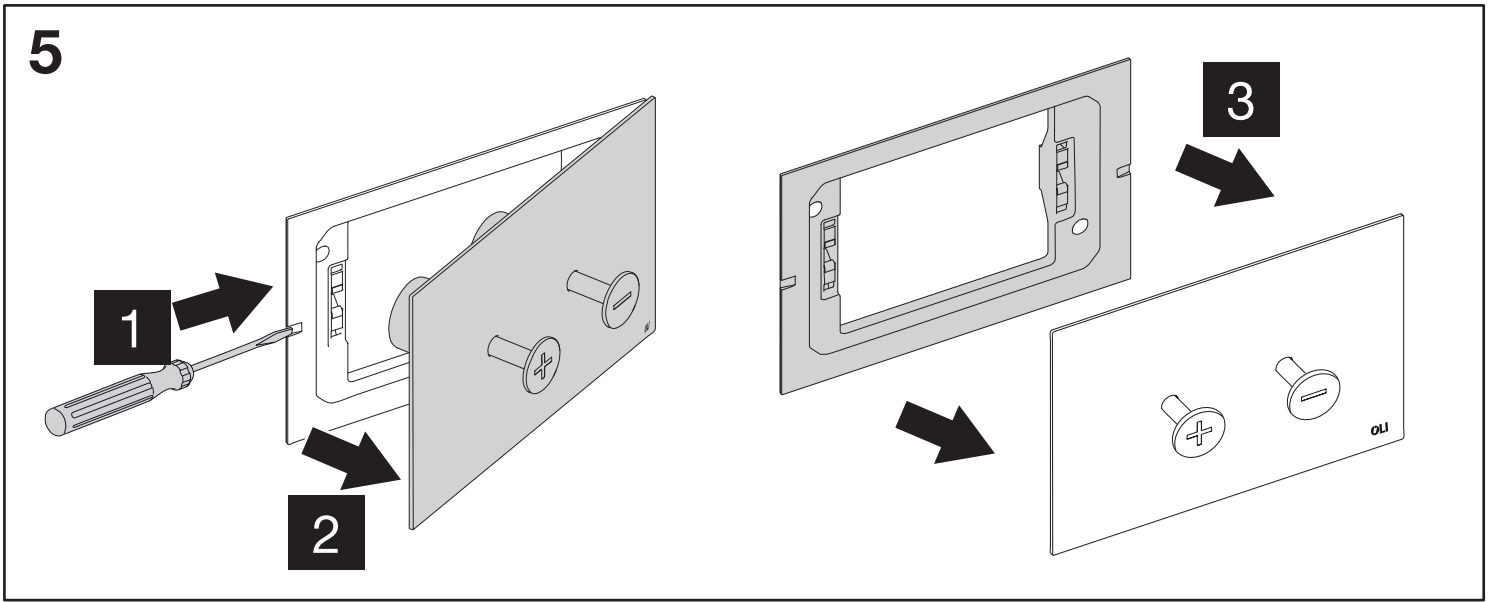
PNEUMATIC



	A	B	C	D	E	F
mm	215	145	2	49.5	2	29.7
in	8.46	5.70	0.07	1.94	0.07	1.16







9

