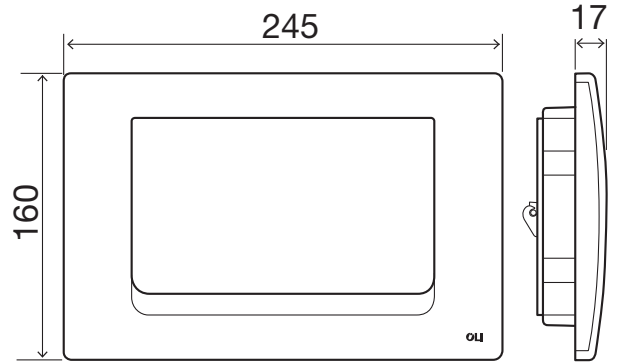
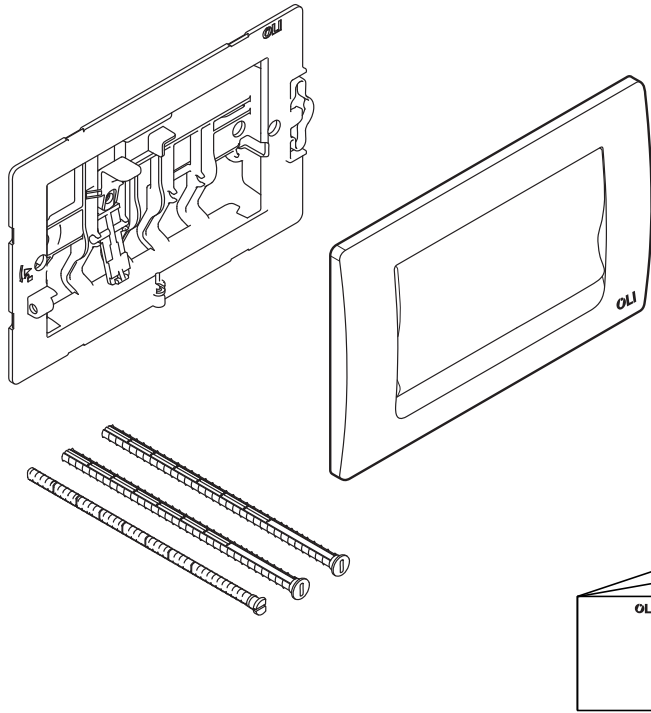


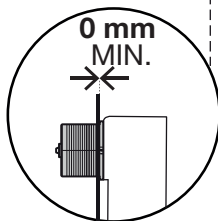
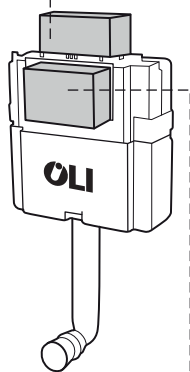
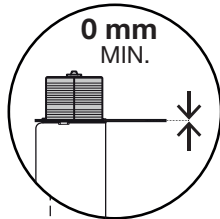
RIA STOP

MECHANICAL

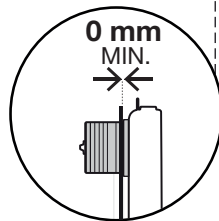
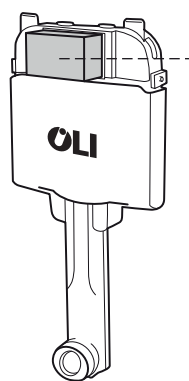


(dimensions in millimeters)

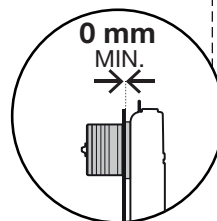
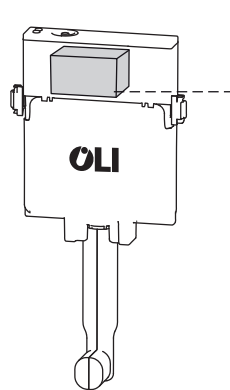
EXPERT PLUS



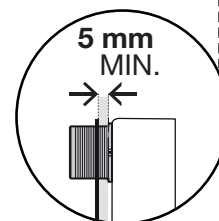
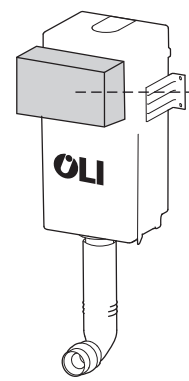
OLI74 PLUS

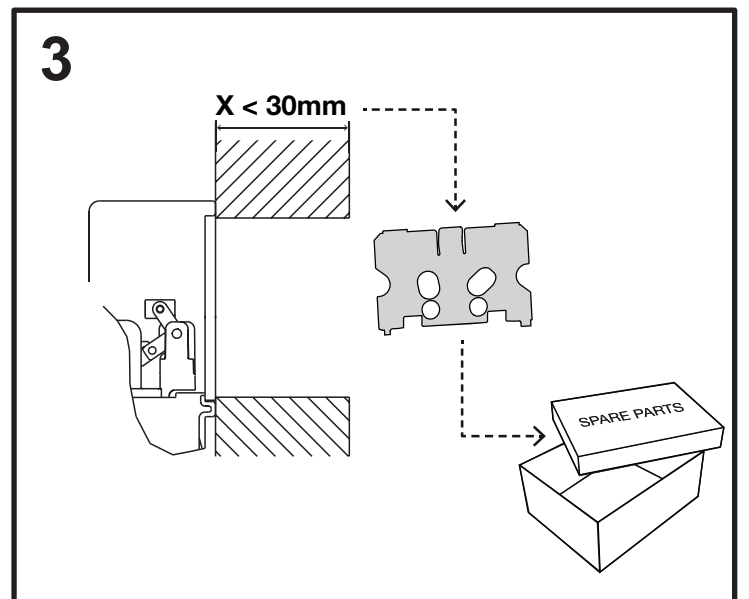
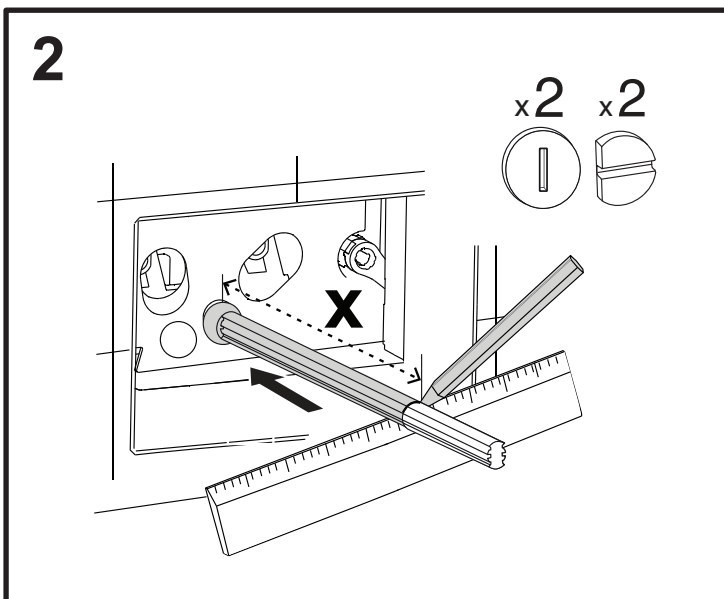
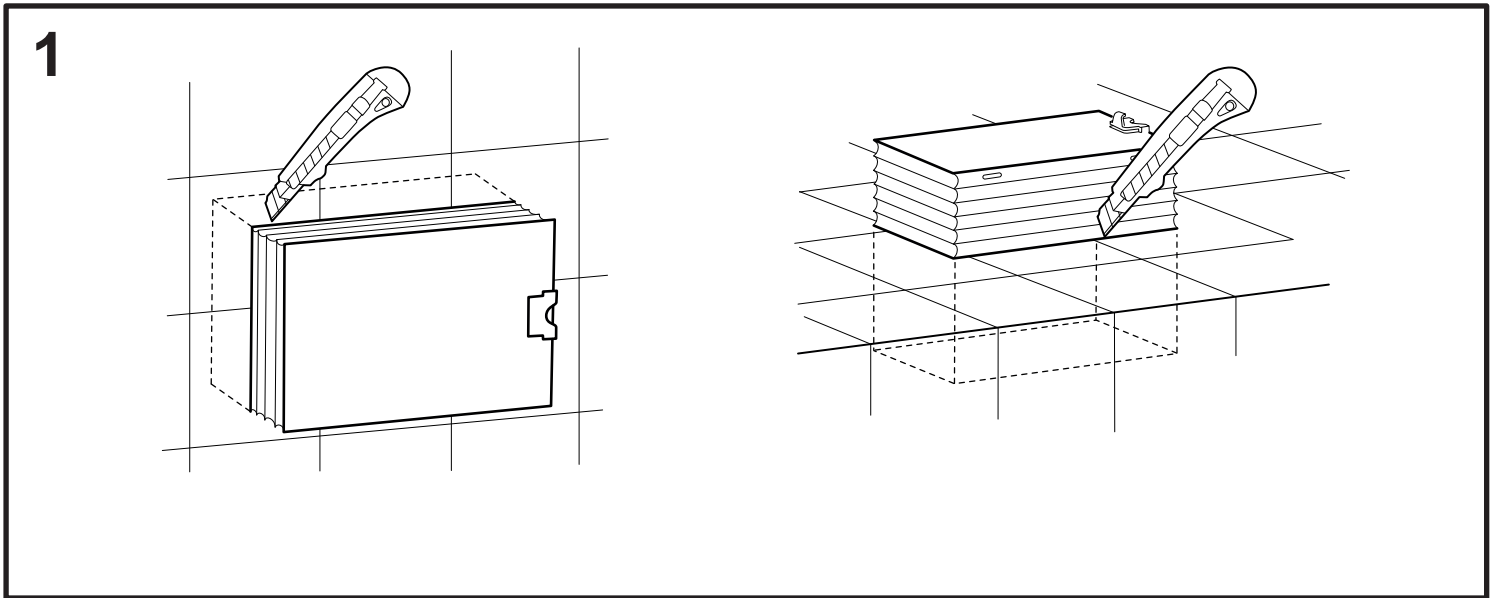
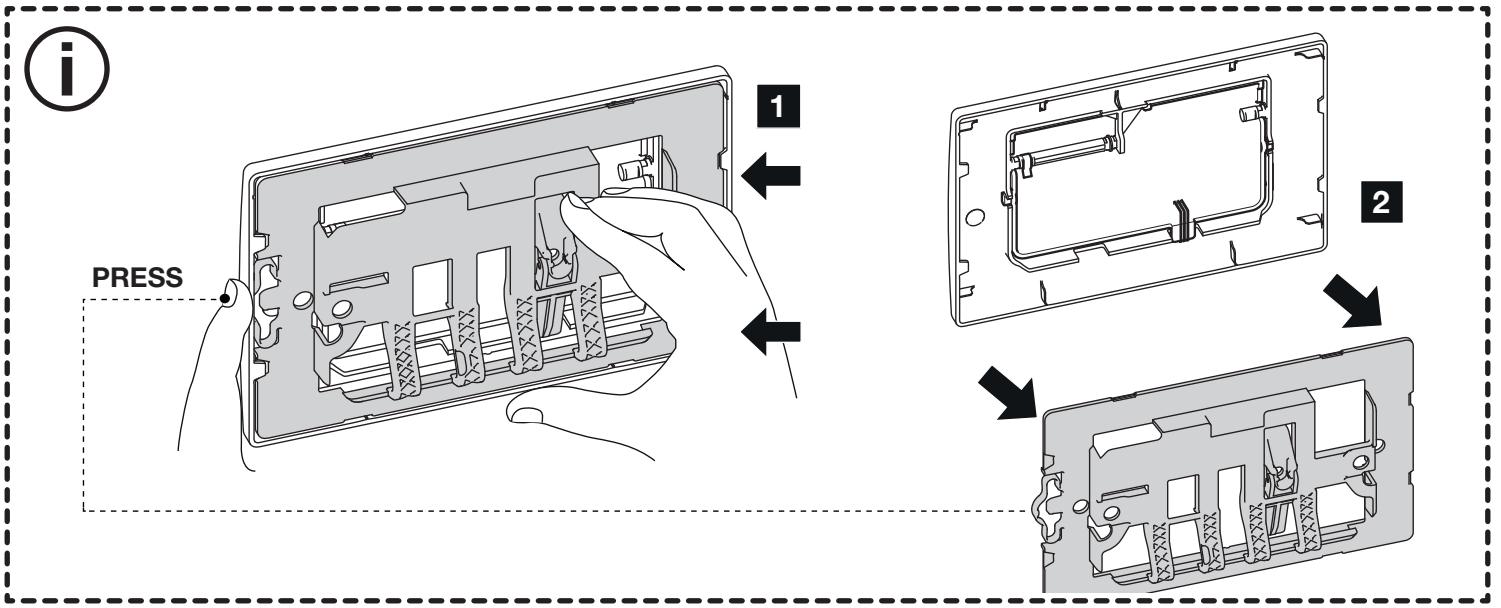


OLI80



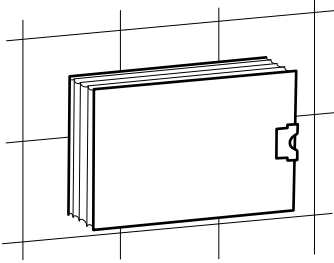
QUADRA PLUS





4

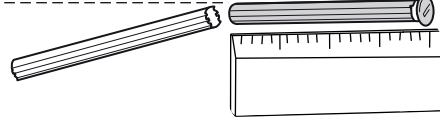
FRONT



x2



← X + 45mm →



x1

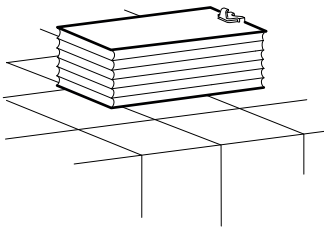


← X + 30mm →



4

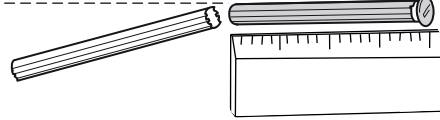
TOP



x2



← X + 10mm →



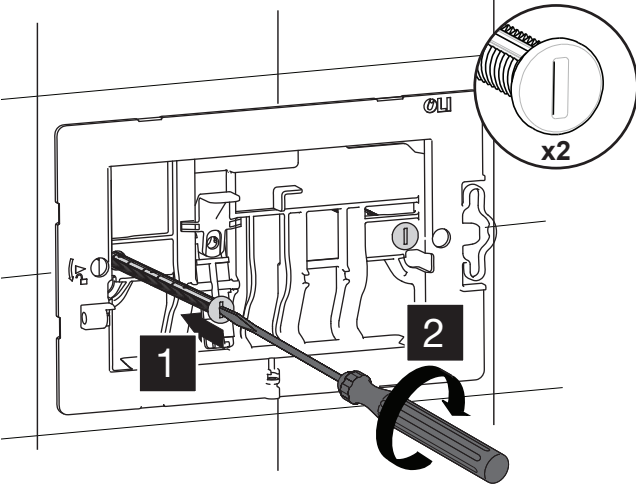
x1



← X + 75mm →



5



6

