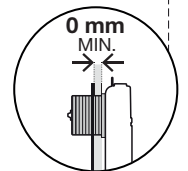
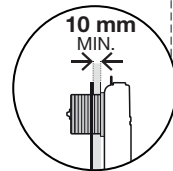
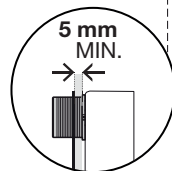
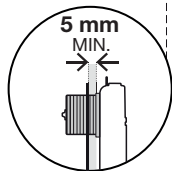
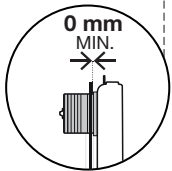
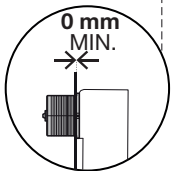
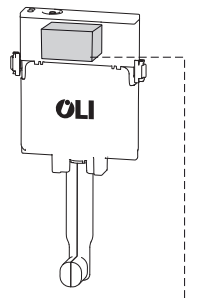
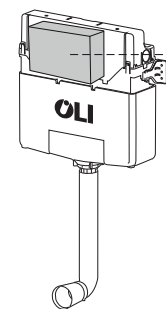
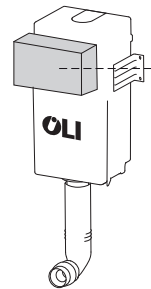
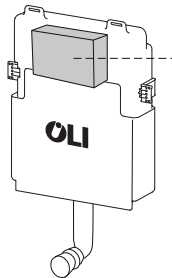
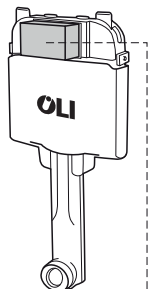
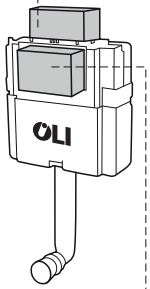
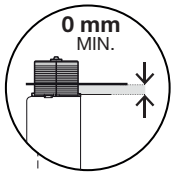
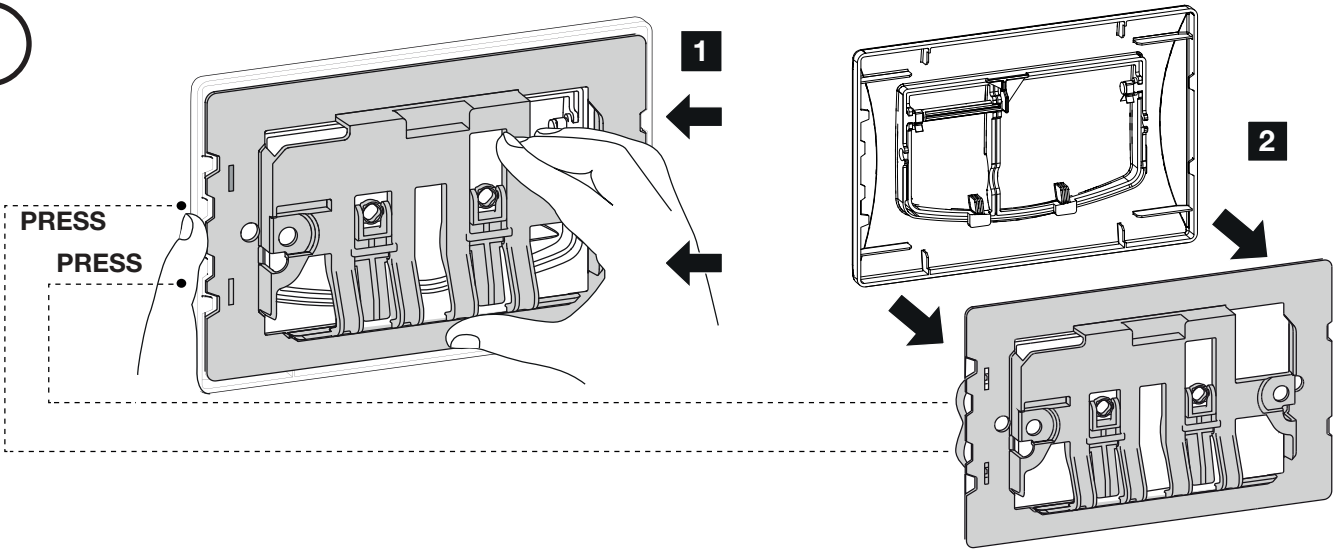


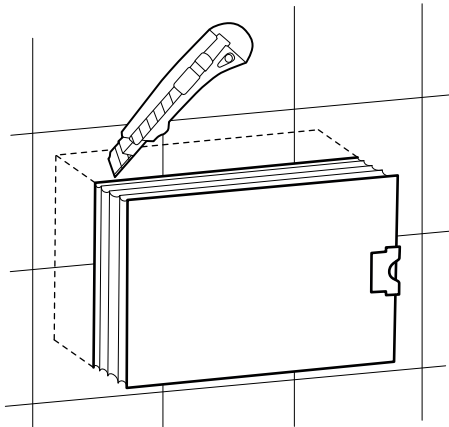
(dimensions in millimeters)



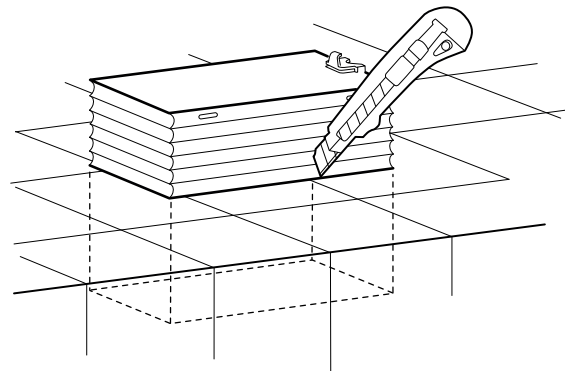


**1**

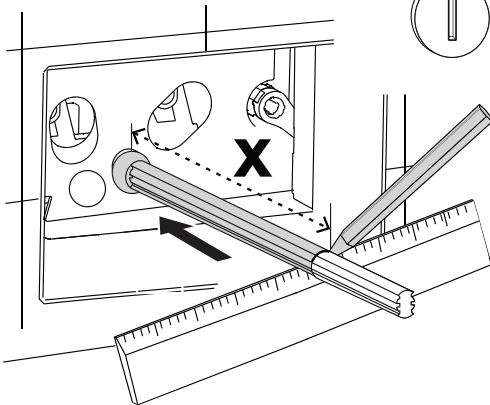
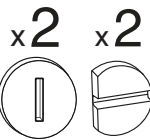
**FRONT**



**TOP**

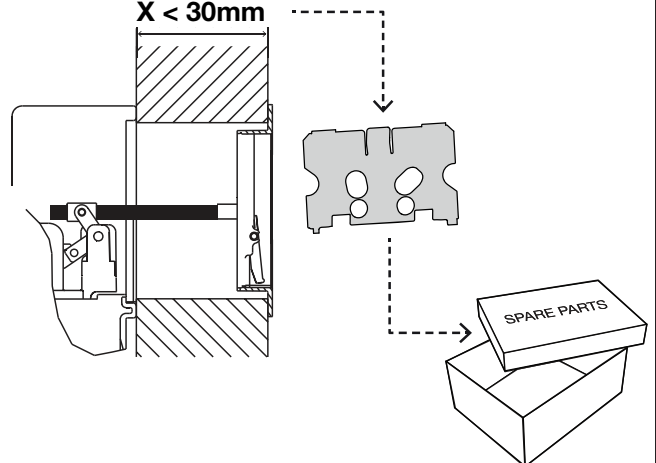


**2**



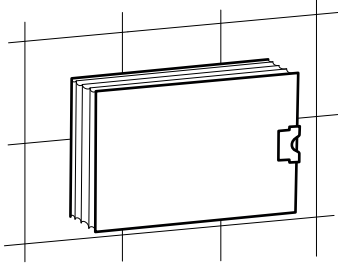
**3**

$X < 30\text{mm}$



3

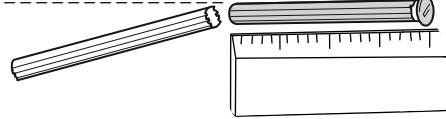
FRONT



x2



← X + 45mm →



x2

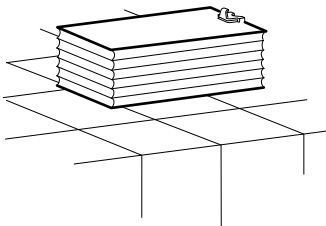


← X + 30mm →



3

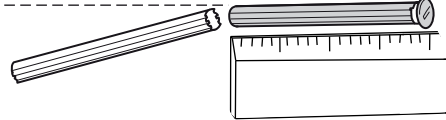
TOP



x2



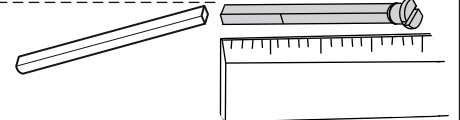
← X + 10mm →



x2



← X + 75mm →



4

