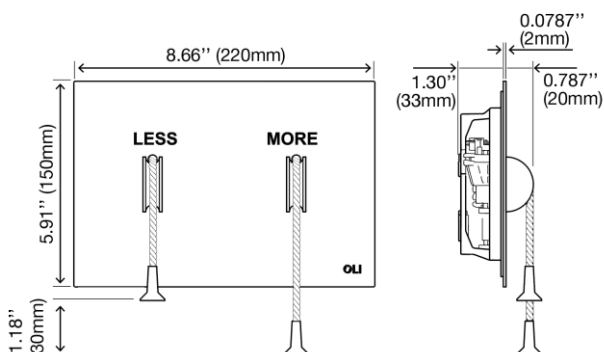


Technical sheet

LESS is MORE

Flush plate for in-wall toilet system comprised of flushing tanks



Product Identification

883524
883525
883527
883526

- LESS is MORE Stainless Steel Polished
- LESS is MORE Stainless Steel Brushed
- LESS is MORE Stainless Steel Black Matt
- LESS is MORE Stainless Steel White Matt

Definition and application

- Mechanic flush plate for OLI in-wall toilet system comprised of flushing tanks

Technical Features

Flush plate

- Design by Architect Alessio Pinto;
- Dual flush;
- Mechanical actuation;
- Front application;
- Low actuation force <17 N;
- 2mm thickness;
- Finishes available: Polished, Brushed, Black matt and White matt;
- Material: Stainless steel polished and brushed;
- Nylon cords on grey.

Technical sheet

LESS is MORE

Flush plate for in-wall toilet system comprised of flushing tanks



Accessories for mechanic system actuation

- 2 Fast Fit actuation screws;
- 2 Fast Fix fixation screws;

Compatible cisterns

- OLI74 PLUS S90 Sanitarblock

Warranty

- 10 years*
- For the full warranty terms please visit www.oli-world.us

TECHNICAL ASSISTANCE AND SERVICE PARTS

OLI is distributed in North America exclusively by:



TOLL-FREE NUMBER 1-888-ADW-9336 (1-888-239-9336)

MONTRÉAL	9805 Rue Clark, Montréal, QC H3L 2R5
TORONTO	51Caldari Rd, Building A, Unit 10, Concord, ON L4K 4G3
VANCOUVER	509-19100 Airport Way, Pitt Meadows, BC V3Y 0E2
PHOENIX	2255W. Desert Cove Avenue, Suite D, Phoenix, AZ 85029
NEW YORK	110 Greene Street, Suite 300, New York, NY 10012
DANIA BEACH	5553 Anglers Ave, Unit 116, Dania Beach, FL 33312