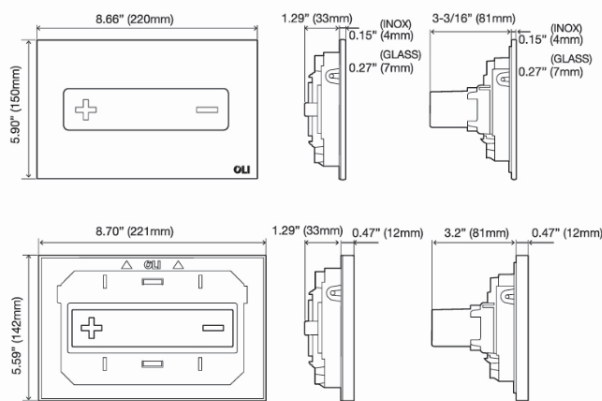
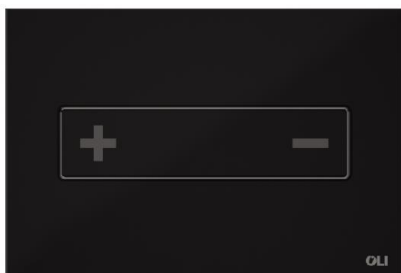


Technical sheet

OCEANIA

Flush plate



ADA Compliant

Product Identification

Code 879473

Code 879472

Code 879471

Code 879470

- OCEANIA Black glass
- OCEANIA White glass
- OCEANIA Brushed stainless steel
- OCEANIA Concealed

Definition and application

- Mechanical flush plate for OLI in-wall cistern;
- With the Oceania flush plate, OLI has achieved the goal of combining simple aesthetic design with elegant unique features.

Technical Features

Flush plate

- Water-saving dual flush system;
- Mechanical actuation;
- Actuation force <20
- Reduced thickness;
- Tilttable button;
- Gull-Wing opening system for easy maintenance;
- Tempered glass, Stainless steel material;

Accessories

- 2 Pairs of counter plate fixation screws

Compatible cisterns

- OLI74 PLUS S90 Sanitarblock

Warranty

- 10 years*
- For the full warranty terms please visit www.oli-world.us

TECHNICAL ASSISTANCE AND SERVICE PARTS

OLI is distributed in North America exclusively by:



TOLL-FREE NUMBER 1-888-ADW-9336 (1-888-239-9336)

MONTRÉAL 9805 Rue Clark, Montréal, QC H3L 2R5
TORONTO 51 Caldari Rd, Building A, Unit 10, Concord, ON L4K 4G3
VANCOUVER 509-19100 Airport Way, Pitt Meadows, BC V3Y 0E2
PHOENIX 2255W. Desert Cove Avenue, Suite D, Phoenix, AZ 85029
NEW YORK 110 Greene Street, Suite 300, New York, NY 10012
DANIA BEACH 5553 Anglers Ave, Unit 116, Dania Beach, FL 33312

Millimetres/inches mesures